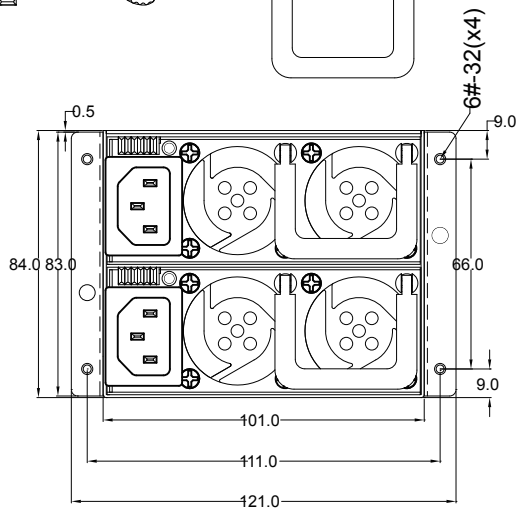
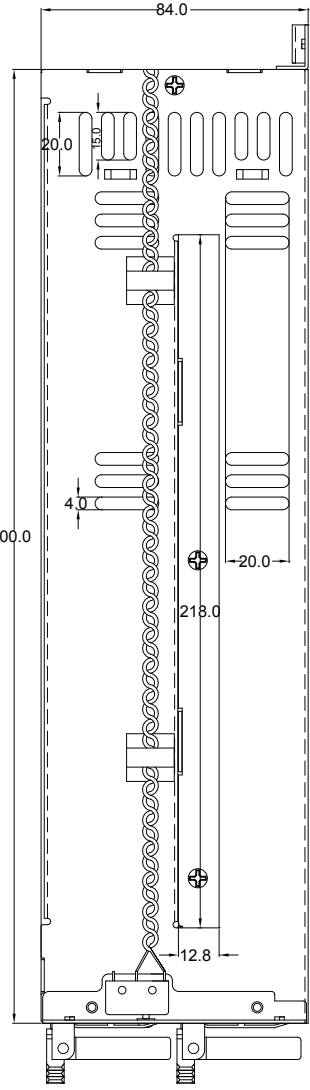
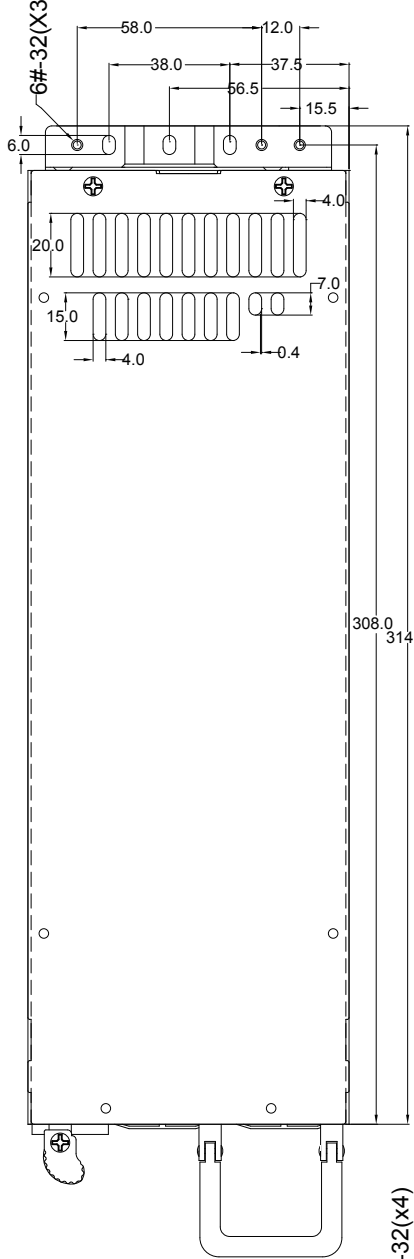
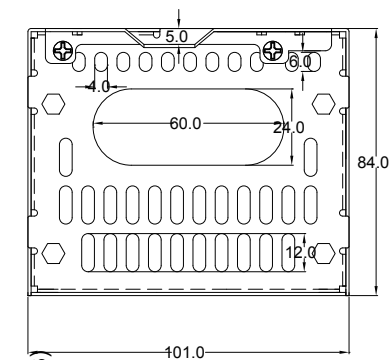
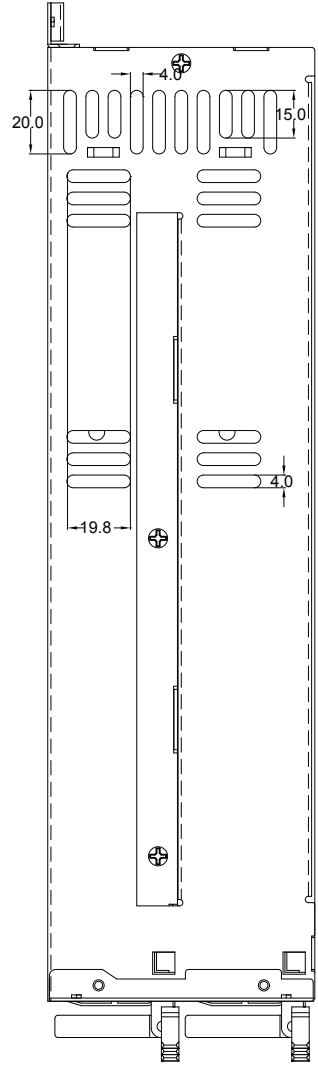


DIMENSION 300(D) x 101(W) x 84(H) mm



REVISIONS		SING	DATE
REV	DESCRIPTION		/ /

TOLEANCES:		SPPC T1.0		SURE STAR COMPUTER	
XXX ± 0.2	MATERIAL	UNITS	mm	MODEL NO	UC-859_701RVNZ
XX ± 0.2	APPROVE BY	CHECK BY	JACKY	SHEET	OF
XX	DATE	DATE	2007.7.19	PART NO	

