



TC-650RVN2

2U Type N+1 Redundant Power Supply



Features

- Universal AC input / Full range
- Active power factor Correction
- Protection: Over Power / Over Voltage / Short Circuits
- Current Sharing design on +3.3V, +5V and +12V
- Front panel LED to Indicate Power Status
- Power Fault Alarm Signals
- Alarm Reset
- 100% burn-in test



Introduction

Introduce the true dual AC input 2U Redundant Power Supply. The TC-650/700RVN2 has full redundancy function even with only one AC source. It has standard PFC, hot swappable power modules and load sharing capability. High performance cooling system with 4 fans and air cell vent.

Electrical Specifications

Input Rating

Model No.	TC-650RVN2		
Input Voltage	100~240VAC, ±10%		
Input Current	12A For 115VAC, 6A For 230VAC		
Input Frequency	47Hz ~ 63Hz		
Power Factor	> 0.96@230VAC/50Hz, full load		

Output Rating

Output Voltage	Output Current		Regulation LOAD LINE		Output Ripple & Noise Max.(p-p)
	TC-650RVN2 Min.	Max.			
+5V	1A	32A	5%	1%	50mV
+3.3V	1A	25A	5%	1%	50mV
+12V	3A	46A	5%	1%	70mV
-12V	0A	1A	5%	1%	70mV
+5VSB	0.1A	3A	5%	1%	50mV

Efficiency	72% Typical at full load
Hold up Time	16m sec. minimum, at full load

REMARKS: 1.Total Max output of +5V AND +3.3V not exceed 200W
2.Power module Total output power not exceed 650W for TC-650RVN2.
3.Noise bandwidth is from DC to 20MHz.

Protections

Over Power	110% ~ 150% rated output power
Over Voltage	+5V→5.7V~6.5V,+3.3V→3.7V~4.1V,+12V→12.8V~13.9V
Short Circuit	Shut down o/p voltage, re-power on to recover

Function

Power Good Signal	100ms~500ms, TTL compatible signal
Power Fail Delay	> 1msec. ,TTL compatible signal
PS-ON	Power off:PS-ON = 2V min. ; Power on:PS-ON = 0.8V max.

Environmental

Operating Temperature	0°C to 45°C
Storage Temperature	-20°C to +70°C
Operating Humidity	20% to 90%,non-condensing
Storage Humidity	5% to 95%, non-condensing

Safety & EMI/RFI

Safety Standards	UL,cUL,TUV,CB
EMI/RFI Standards	CISPR22(EN55022) Class B, FCC Part15 Class B
Harmonic	EN61000-3-2

Others

MTBF	> 100,000 hours
Coolings	38x38x28mmx4 DC FANS
Dimension(DxWxH)	300x101x84mm

TC-650RVN2

2U Type N+1 Redundant Power Supply

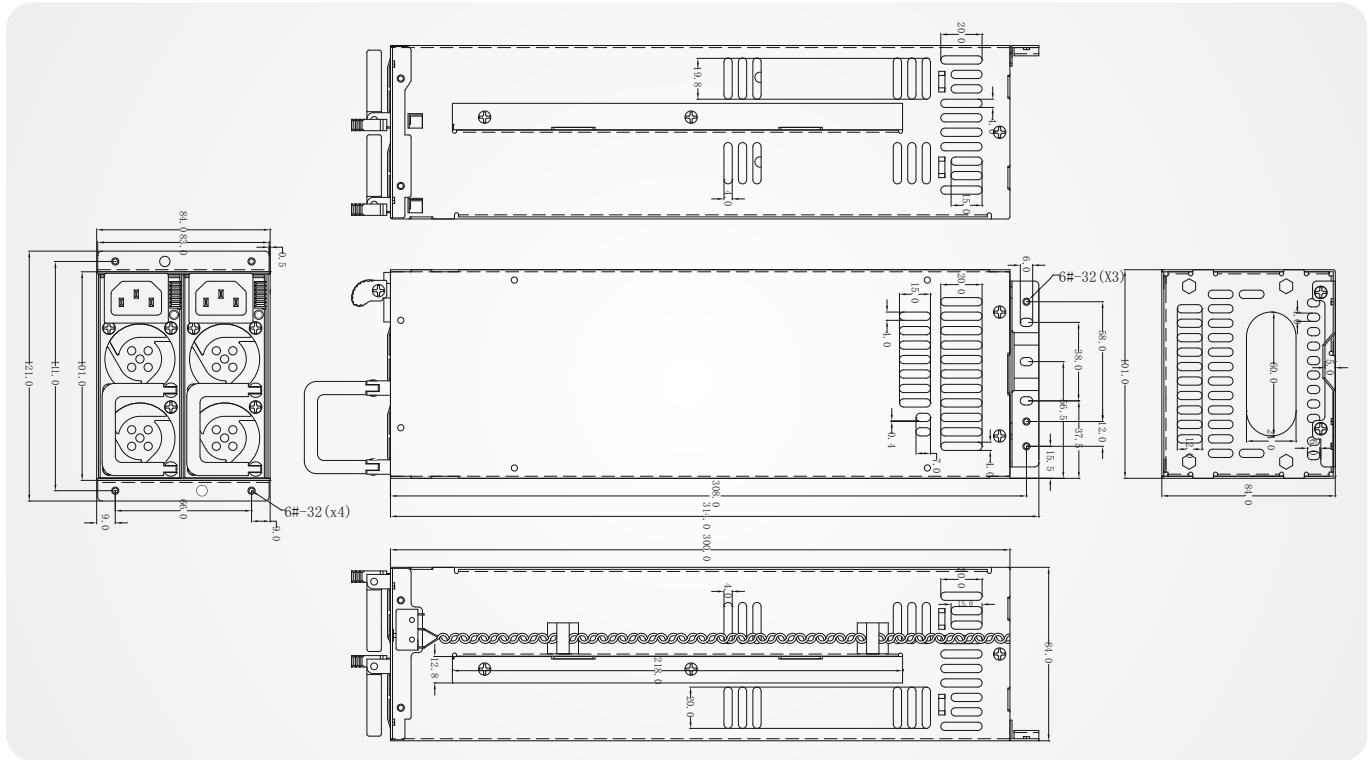
Application ▶

SERVER

STORAGE

WORKSTATION

• Mechanical Drawing •



• Pinouts Of Connectors •

