



TC-400R8

PS2 Mini Redundant Power Supply



Features

- 300+300 watts total output power
- Over Power Protection
- Over Voltage Protection
- Short Circuits Protection
- Hot-Swappable PSU Zero down time Patent no. Germany
- Load Sharing design for smart stress and heat distribution Patent no. 136053
- 16ms Hold Up Time



Introduction

The industrial graded TC-400R8 Mini Redundant Power Supply offers your server and workstation zero faults tolerant operation with hot swappable, status monitoring, and load sharing capability. The standard PS2 size also fits most of ATX chassis makes it an ideal choice for telecommunication, mail/web/data server, automation, embedded applications, and uninterruptible systems. Passive PFC design provides cost effective yet reliable performance.

Electrical Specifications

Specification

Model	TC-400R8
Form Factor	EPS 12V
Input Voltage	90~132V/ 180~264V Auto Select
Input Frequency	47Hz~63Hz

Output Rating

Total Watts	400 watts
+5V	35A
+12V	18A
+3.3V	24A
+5V & +3.3V	170 watts
+5V & +3.3V & +12V	375 watts
PFC	Passive
Efficiency	≥70%
Regulation	±5%

- Operation Temperature: 0°C to 50°C
- Humidity: 5 to 90% non-condensing.
- Specification and wiring diagram subject to change without notice.

Connectors

Cable Length	19 in
Main connector	20+4 Pins
4 pin 12V	1
8 pin connector	1
4 pin Peripheral connector	7
4 pin Floppy connector	1

Dimension

DxWxH(mm)	174x150x86
Net Weight	9 lb
Safety/EMI/RFI	FCC-B, UL 1950/6950 CB, TUV EN 60950 IEC 950/1000 EN 55022 CISPR 22 EN 61000 ISO 9001
MTBF	100,000 hours at full load and 25°C ambient temperature

TC-400R8

PS2 Mini Redundant Power Supply

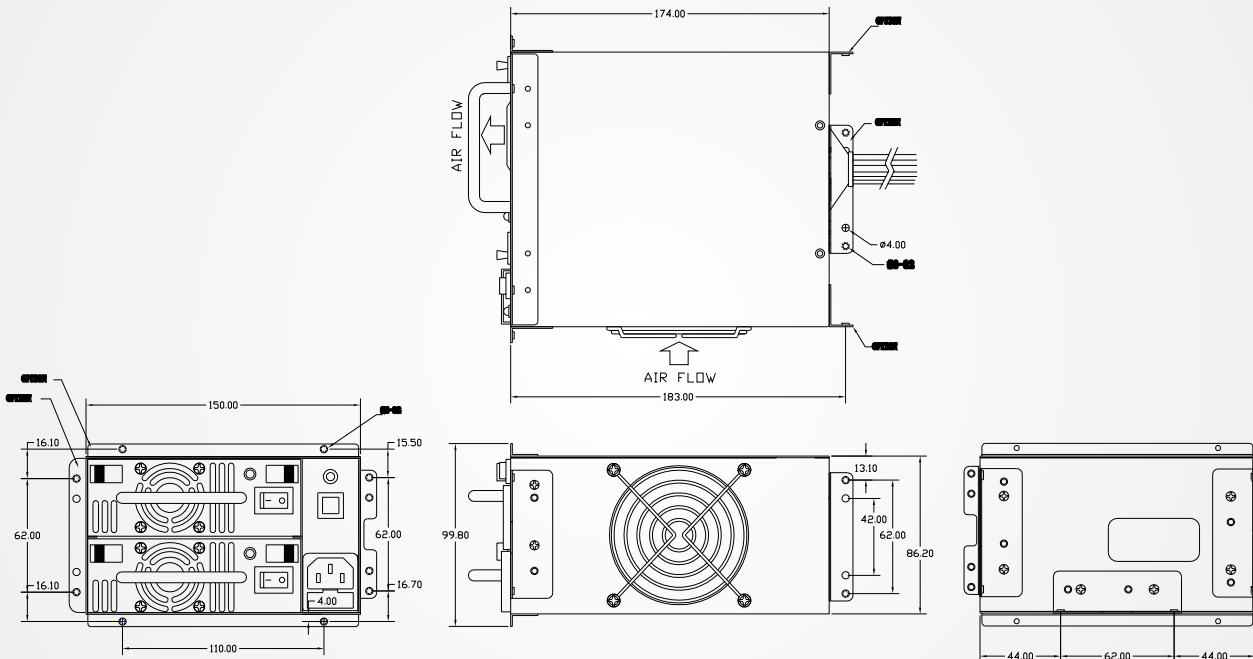
Application ▶

SERVER

STORAGE

WORKSTATION

• Mechanical Drawing •



• Pinouts Of Connectors •

