



# TC-300R8

## PS2 Mini Redundant Power Supply



### Features

- 300+300 watts total output power
- Over Power Protection
- Over Voltage Protection
- Short Circuits Protection
- Hot-Swappable PSU Zero down time  
Patent no. Germany
- Load Sharing design for smart stress and heat distribution Patent no. 136053
- 16ms Hold Up Time



### Introduction

The industrial graded TC-300R8 Mini Redundant Power Supply offers your server and workstation zero faults tolerant operation with hot swappable, status monitoring, and load sharing capability. The standard PS2 size also fits most of ATX chassis makes it an ideal choice for telecommunication, mail/web/data server, automation, embedded applications, and uninterruptible systems. Passive PFC design provides cost effective yet reliable performance.

### Electrical Specifications

#### Specification

Model	TC-300R8
Form Factor	EPS 12V
Input Voltage	90~132V/ 180~264V Auto Select
Input Frequency	47Hz~63Hz

#### Output Rating

Total Watts	300 watts
+5V	30A
+12V	15A
+3.3V	24A
+5V & +3.3V	150 watts
+5V & +3.3V & +12V	275 watts
PFC	Passive
Efficiency	≥70%
Regulation	±5%

- Operation Temperature: 0°C to 50°C
- Humidity: 5 to 90% non-condensing.
- Specification and wiring diagram subject to change without notice.

#### Connectors

Cable Length	19 in
Main connector	20+4 Pins
4 pin 12V	1
8 pin connector	1
4 pin Peripheral connector	7
4 pin Floppy connector	1

#### Dimension

DxWxH(mm)	174x150x86
Net Weight	9 lb
Safety/EMI/RFI UL,cUL,TUV, CB,CE,FCC	FCC-B,UL1950/6950 CB,TUV EN 60950 IEC950/1000 EN55022 CISPR 22 EN61000 ISO9001
MTBF	100,000 hours at full load and 25°C ambient temperature

# TC-300R8

PS2 Mini Redundant Power Supply

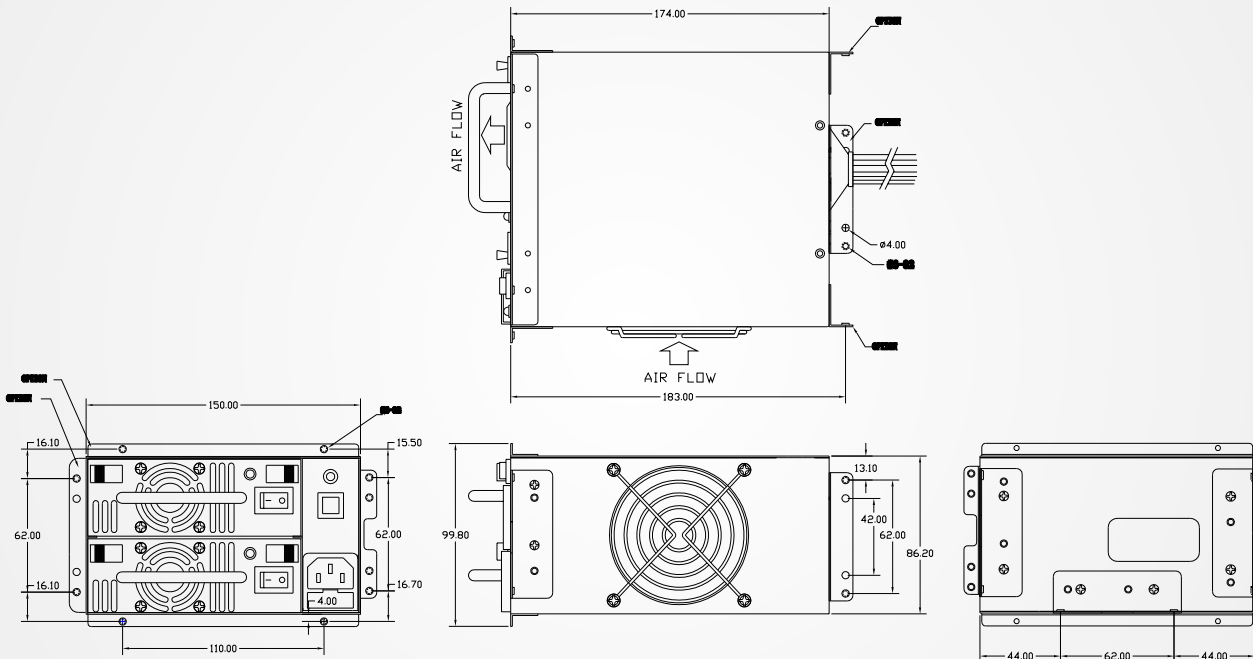
Application ▶

SERVER

STORAGE

WORKSTATION

## • Mechanical Drawing •



## • Pinouts Of Connectors •

