



TC-900PL

ATX Switching Power Supply



Features

- Power range auto select
- Over Power Protection
- Over Voltage Protection
- Short Circuits Protection
- 16ms Hold Up Time
- Active PFC for energy saving and high performance
- Nickel Plated enclosure to provide Corrosion Resistance



Introduction

Industrial EPS 12V and ATX 12V TC-XXXPL Series switching power supply. Deliver precision power from 350 watts to 1000watts for all your application needs. Standard feature include triple circuit protection, nickel plated enclosure, and PFC. Performance PC need a powerful power supply.

Electrical Specifications

Specification

Model No.	TC-900PL
Form Factor	EPS 12V
Input Voltage	100~240V Full Range
Input Frequency	47Hz~63Hz

Output Rating

Total Watts	900 watts
+5V	30A
+12V1,12V2,12V3,12V4	16A/16A/16A/16A
+3.3V	30A
+5V & +3.3V	45A
+5V & +3.3V & 12V	880 watts
PFC	Active
Efficiency	≥78%
Regulation	±5%

- Operation Temperature: 0°C to 50°C
- Humidity: 5 to 90% non-condensing.
- Specification and wiring diagram subject to change without notice.

Connectors

Cable Length	23 in
Main connector	24 Pins
4 pin 12V	1
8 pin connector	1
4 pin Peripheral	10
4 pin Floppy	2
SATA connector	2

Dimension

DxWxH(mm)	220x150x86
Net Weight	5.5 lb
Safety/EMI/RFI	FCC EN55022 CISPR 22 UL 60950 CAN/CSA 22.2 TUV (IEC 60950) EN-61000-3-2
MTBF	100,000 hours at full load and 25°C ambient temperature

TC-900PL

ATX Switching Power Supply

Application ▶

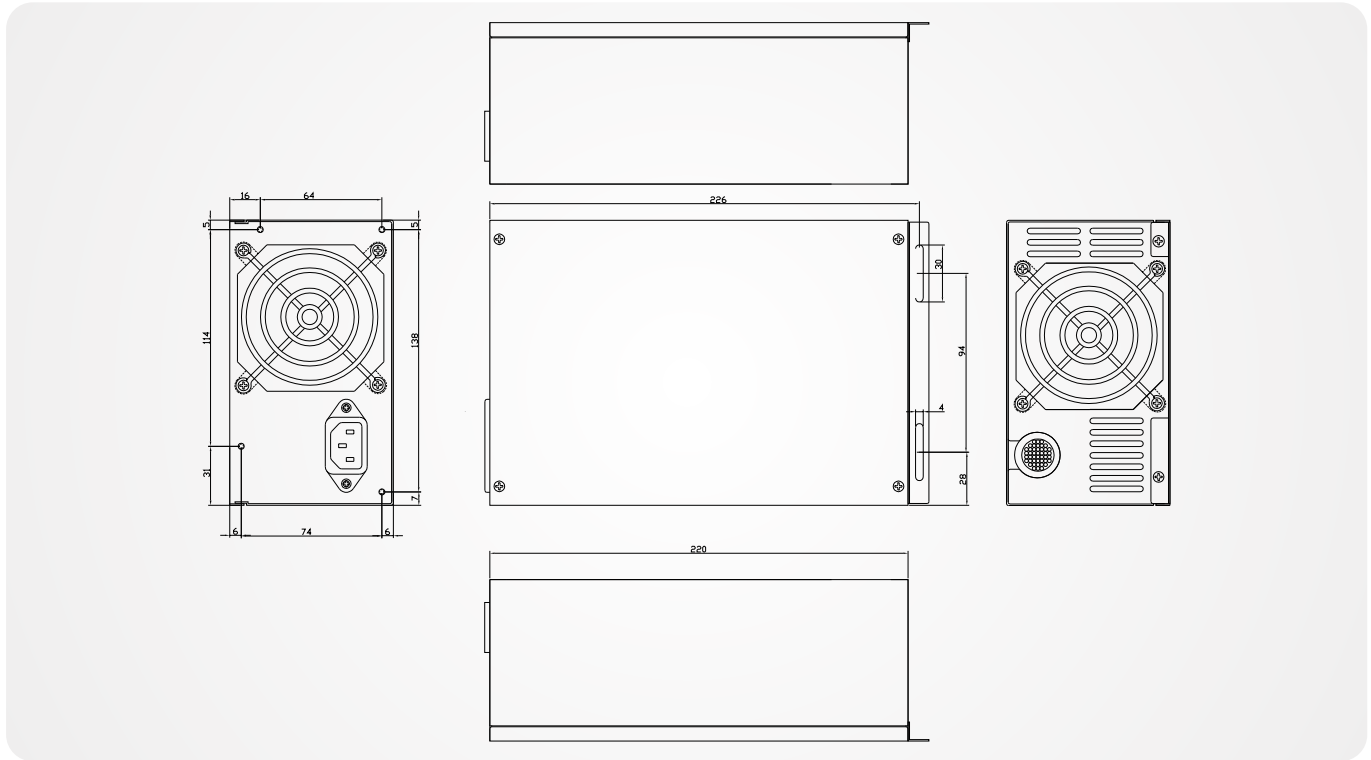
SERVER

GAMING

NETWORKING

WORKSTATION

• Mechanical Drawing •



• Pinouts Of Connectors •

