



# TC-3U30

## ATX Switching Power Supply



### Features

- Power range auto select
- Over Power Protection
- Over Voltage Protection
- Short Circuits Protection
- 16ms Hold Up Time
- Passive PFC for cost effective performance
- Nickel Plated enclosure to provide Corrosion Resistance



### Introduction

Introduce the industrial graded TC-3U30 power supply. Design to fit perfectly into your 3U rackmount chassis. Triple circuits protections and PFC to provide best performance and protection. TC-3U30 combined reliability and performance for your 3U chassis.

### Electrical Specifications

#### Specification

Model	TC-3U30
Form Factor	EPS 12V
Unit Size	3U
Input Voltage	90~132V/ 180~264V
Input Frequency	47Hz~63Hz

#### Output Rating

Total Watts	300 watts
+5V	30A
+12V	12A
+3.3V	20A
+5V & +3.3V	150 watts
Voltage Regulation	±5%
PFC	Passive
Efficiency	≥68%

#### Connectors

Cable Length	21 in
Main connector	20+4 Pins
4 pin 12V	1
4 pin Peripheral	4
4 pin Floppy	1
SATA	2

#### Dimension

DxWxH(mm)	180x117x86
Net Weight	4.3 lb
Safety/EMI/RFI UL, cUL, CB	FCC EN55022
	CISPR 22
	UL6 0950
	CAN/CSA 22.2
	TUV( IEC60 950) EN-61000-3-2

- Operation Temperature: 0°C to 50°C
- Humidity: 5 to 90% non-condensing.
- Specification and wiring diagram subject to change without notice.

# TC-3U30

ATX Switching Power Supply

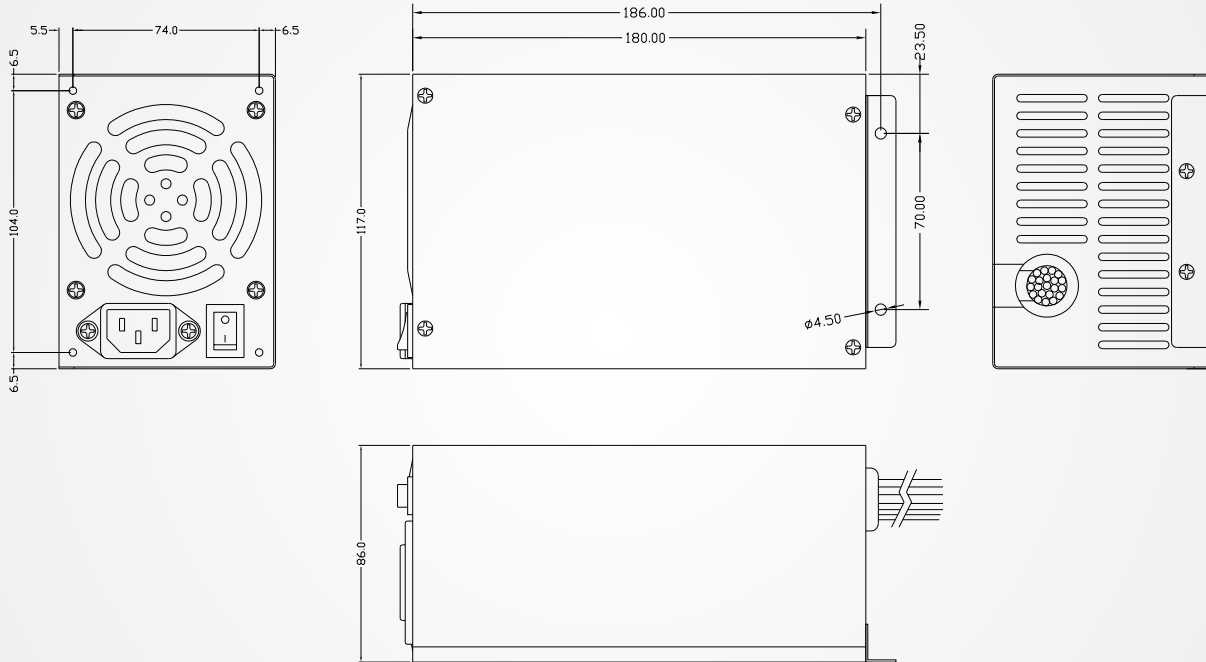
Application ▶

SERVER

NETWORKING

WORKSTATION

## • Mechanical Drawing •



## • Pinouts Of Connectors •

