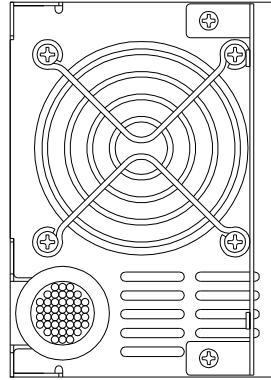
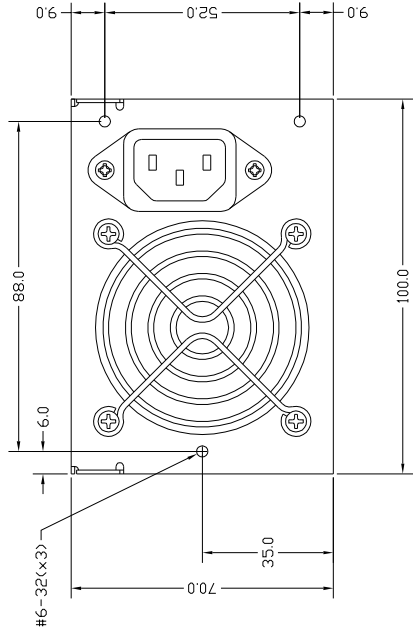
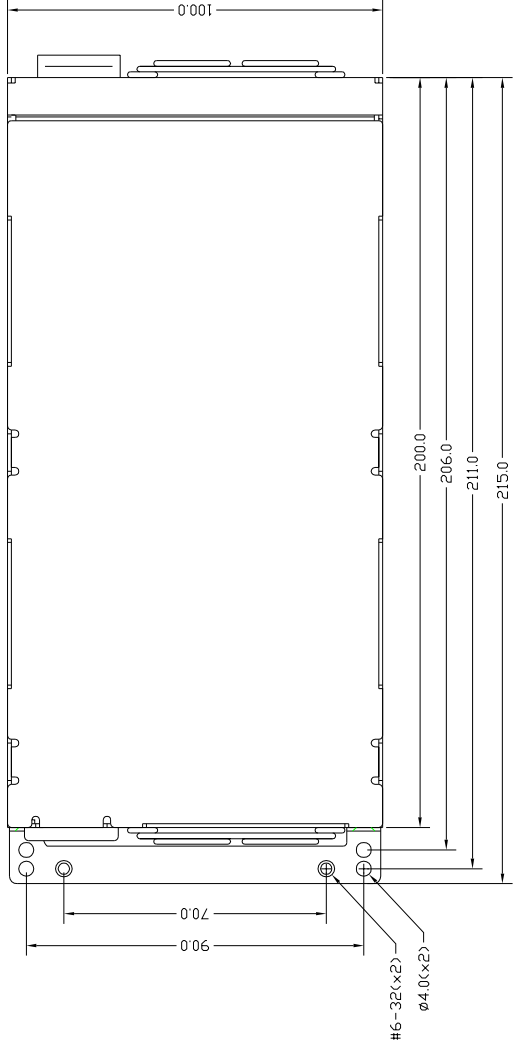


REVISIONS

REV	DESCRIPTION	SIGN	DATE

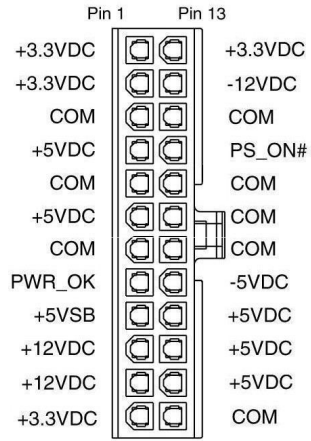


TOLEANCES	MATERIAL	UNIT	PART NO
.X= +/- 0.25	REMARK	SCLAE 1:1	MODEL NAME
.XX= +/- 0.100	APPD	CKD DRAWN	DWG NO.
⊕		SHEET	DF
		DATE	/ /

**TC-2UXX**

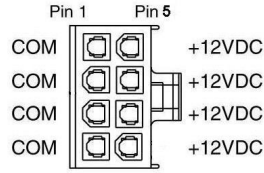


# PINOUPS OF CONNECTORS

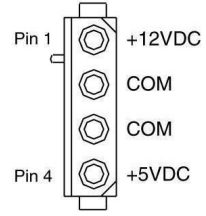


Main Power Connector

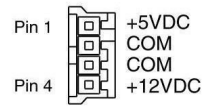
- |                       |                        |                    |
|-----------------------|------------------------|--------------------|
| +12V = <b>yellow</b>  | +5VSB = <b>brown</b>   | -5V = <b>white</b> |
| +5V = <b>red</b>      | PS_ON# = <b>gray</b>   | -12V = <b>blue</b> |
| +3.3V = <b>purple</b> | PWR_OK = <b>orange</b> | COM = <b>black</b> |



+12V 8P Power Connector



Peripheral Power Connector



Floppy Drive Power Connector

