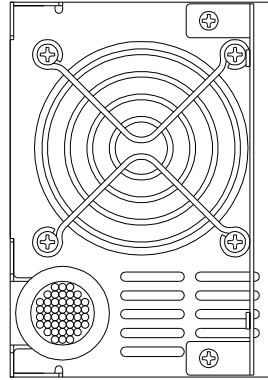
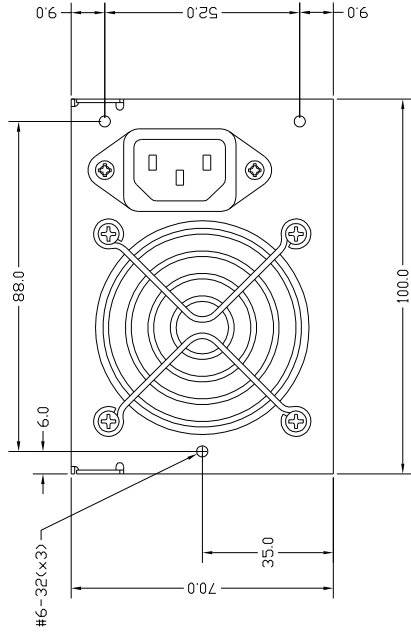
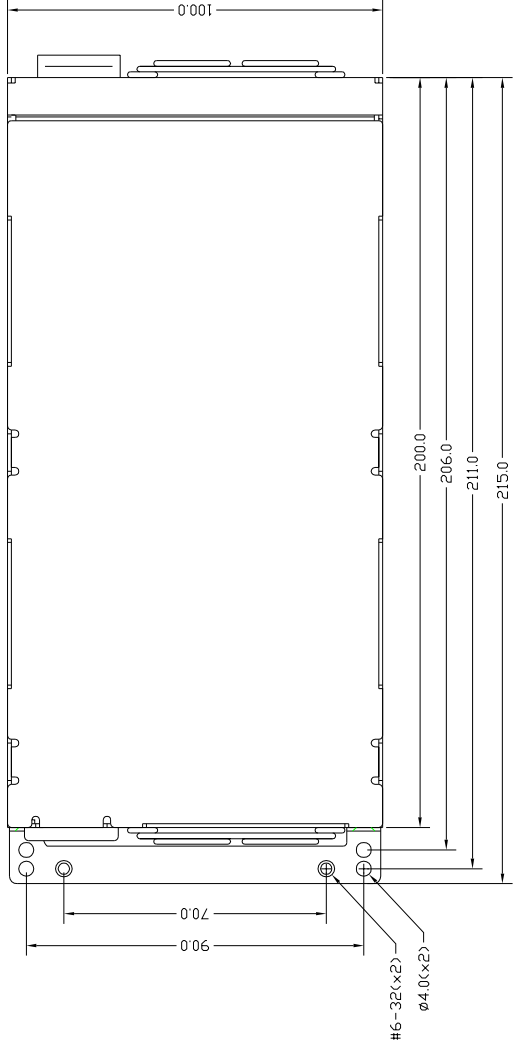


REVISIONS

| REV | DESCRIPTION | SIGN | DATE |
|-----|-------------|------|------|
| | | | |
| | | | |
| | | | |

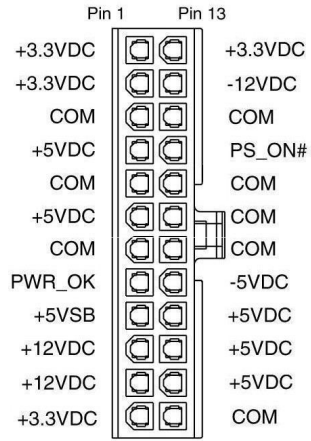


| TOLERANCES | MATERIAL | UNIT | PART NO |
|----------------|----------|-----------|---------|
| .X= +/- 0.25 | REMARK | SCLAE 1:1 | MODEL |
| .XX= +/- 0.100 | APPD | DWG NO. | NAME |
| | CKD | DRAWN | DF |
| | | | DATE |

TC-2UXX

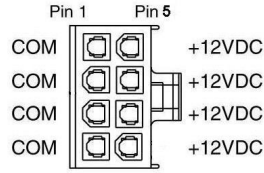


PINOUPS OF CONNECTORS

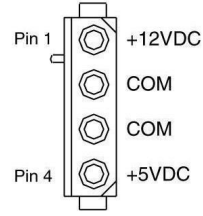


Main Power Connector

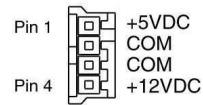
- | | | |
|-----------------------|------------------------|--------------------|
| +12V = yellow | +5VSB = brown | -5V = white |
| +5V = red | PS_ON# = gray | -12V = blue |
| +3.3V = purple | PWR_OK = orange | COM = black |



+12V 8P Power Connector



Peripheral Power Connector



Floppy Drive Power Connector

