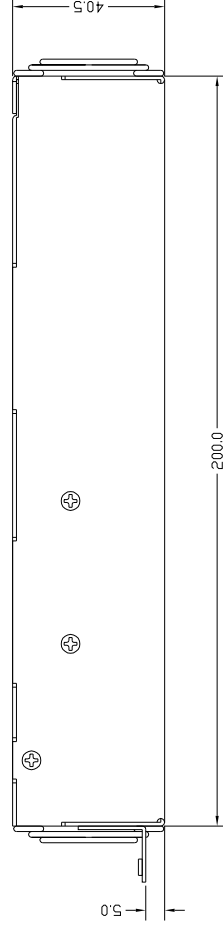
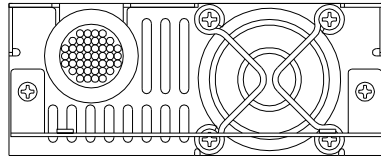
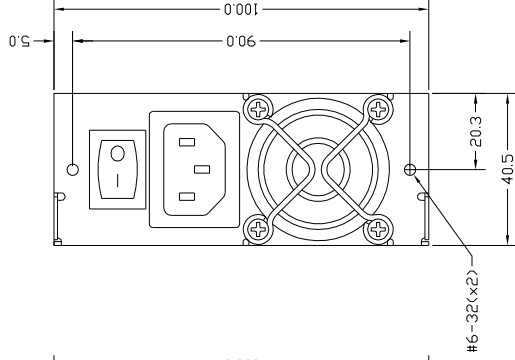
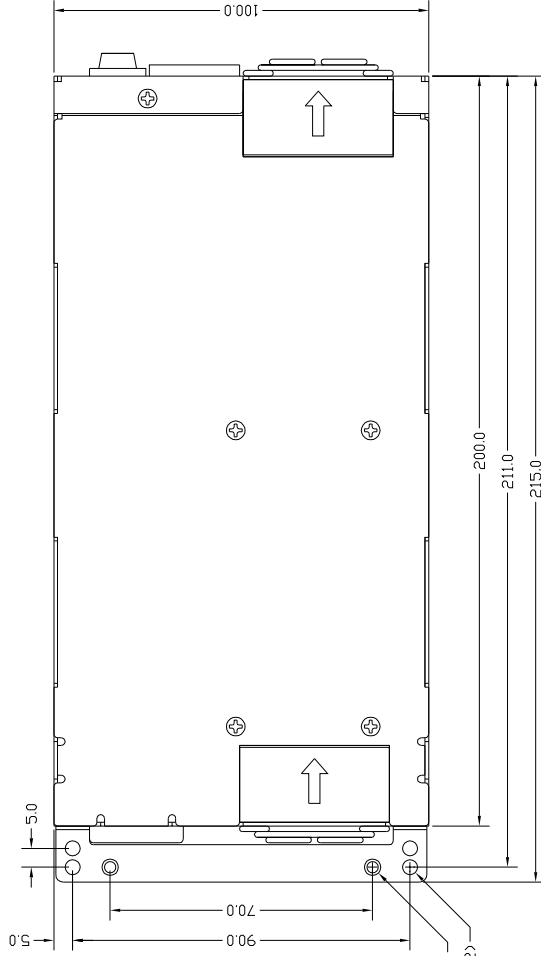
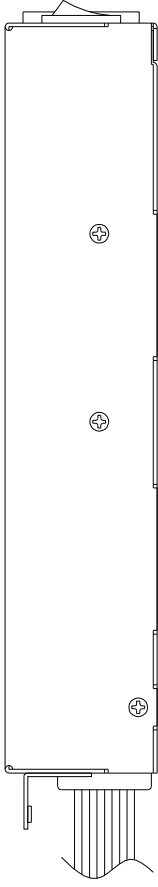
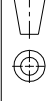


REVISIONS

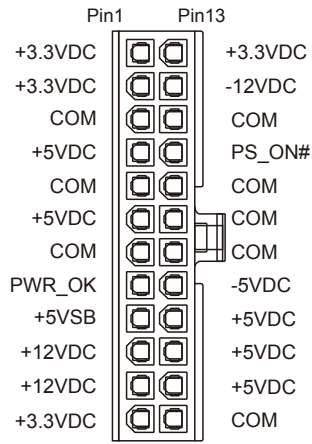
REV	DESCRIPTION	SIGN	DATE



TOLERANCES		MATERIAL		UNIT		PART NO	
.X =	+/- 0.25	REMARK	SCLAE	mm	1:1	MODEL	TC-1UXX
.XX =	+/- 0.100	APPD	DRAWN	CKD	DWG NO.	NAME	SURE STAR
				SHEET		COMPUTER	
				DATE		DF	
						/ /	

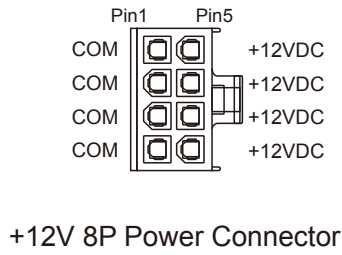


PINOUPS OF CONNECTORS

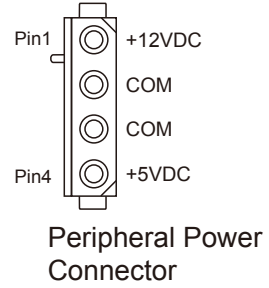


Main Power Connector

- | | | |
|----------------|-----------------|-------------|
| +12V = yellow | +5VSB = brown | -5V = white |
| +5V = red | PS_ON# = gray | -12V = blue |
| +3.3V = purple | PWR_OK = orange | COM = black |



+12V 8P Power Connector



Peripheral Power Connector



Floppy Drive Power Connector

